

## ENGINE POWERED ARTICULATING BOOM LIFTS

# AB46RJ (AB1530RJ)

Compliant with CE/EAC standards

### PRODUCT HIGHLIGHTS

#### Precision Performance

- ☑ 3 joysticks with variable proportional control, accuracy in reaching the operation target

#### Intelligent Maintenance

- ☑ Industry leading 7" screen displays faults and status information, for easy reference, reducing service technician assistance. Workers can complete tasks under the remote guidance of qualified service technicians. Convenient for fleet managers to quickly access live machine and maintenance information



#### Reliable

- Secure and reliable folding arm, luffing operation with hydraulic interlocking, and hydraulic-connection body leveling

#### Operating Efficiency

- ☑ The working platform can be lifted and lowered to any position without the need to operate the folding arm

Standard Features		
7-in display screen	4WD x 4WS	Proportional control with 3 joysticks
Automotive-grade sleeves for all pipes	4-wheel brake	Hydraulic platform leveling
Weighing system	Tilt protection system	Max tilt rating to 5°
Emergency stop system	Flashing beacon	Horn & buzzer
Emergency lowering system	Footswitch	2.44m(8') platform
Fault diagnosis system	Foam-filled tires	Manual storage box
Options & Accessories		
Foam-filled non-marking tires	Solid tires/Solid non-marking tires	1.83m(6') work platform
1.83m(8')/2.44m(8') platform with swinging gate	Platform work light	Secondary guarding device
Overhead anti-collision device	Glazier kit (for platform with swinging gate)	Telematics-ready connector
Half mesh (for platform with swinging )	AC power to platform	

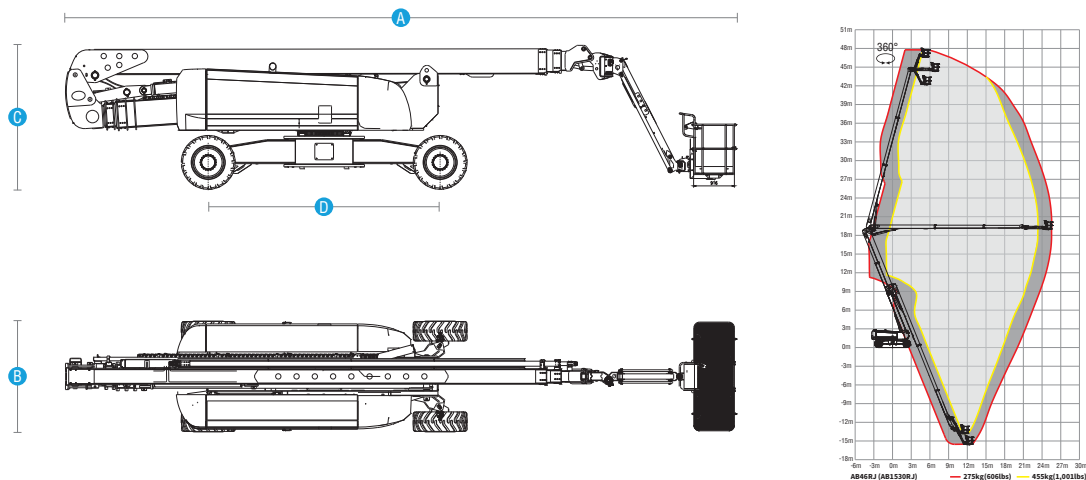


ENGINE POWERED ARTICULATING BOOM LIFTS

# AB46RJ (AB1530RJ)

Compliant with CE/EAC standards

Model	AB46RJ(AB1530RJ)
<b>Dimensions</b>	
Max Platform Height	46.6 m (152'11")
Max Working Height	48.6 m (159'5")
Max Horizontal Reach	25.5 m (83'8")
A Stowed Length	15 m (49'3")
B Stowed Width	2.49 m (8'2")
C Stowed Height	3.2 m (10'6")
Stowed Length (Transport)	12.3 m (40'4")
Stowed Width (Transport)	2.49 m (8'2")
Stowed Height (Transport)	3.2 m (10'6")
D Wheelbase	5.2 m (17'1")
Ground Clearance	0.33 m (1'1")
Platform Size (L×W×H)	2.44 m×0.91 m×1.1 m (8'×3'×3'7")
<b>Performance</b>	
Max Platform Capacity (Restricted/Unrestricted)	455 kg/275 kg (1,001 lbs/606 lbs)
Max Platform Occupants (Restricted/Unrestricted)	3 persons/2 persons
Drive Speed (Stowed)	0~4.5 km/h (0~2.8 mph)
Drive Speed (Raised)	0~0.48 km/h (0~0.3 mph)
Gradeability	40% (4WD)
Turntable Rotation	360°/Continuous
Platform Rotation	180°
Jib Rotation	150°
Tilt Rating	5°
Turning Radius (Inside/Outside)	7.1 m/9.52 m (23'4"/31'3")
Turntable Tail-Swing	4.6 m (15'1")
Max Allowable Side Force	400 N (90 lbf)
Max Allowable Wind Speed	12.5 m/s (28 mph)
Tire Spec/Type	445/50D710 24PR (foam-filled)
<b>Power</b>	
Drive × Steer	4 WDx4 WS
Engine	74 kw/2200 rpm/QSF3.8t3TC99/Cummins /China T3, EU Stage3A 74 kw/2200 rpm/YCF36100-T480/Yuchai/China T4 74.4kw/2300rpm/TCD3.6 L4 Stage V+T4f/DETUZ/ EU Stage V ,T4f
Hydraulic Tank Capacity	410 L (90 gal (UK)/108 gal (US))
Diesel Tank Capacity	200 L (44 gal (UK)/53 gal (US))
System Voltage	12 VDC
<b>Weight</b>	
Weight	27,300 kg (60,186 lbs) 4 WD
Standards Compliance	CE/EAC



We reserve the right to make specification. The above represents the current specifications at time of publications. 01. 2025



**HONEST, RELIABLE & REACTIVE**  
SOLUTIONS FOR WORKING AT HEIGHT

**CONTACT US**

- ☎ 0800 865 4455
- ✉ info@hiresafesolutions.com
- 🌐 www.hiresafesolutions.com

