

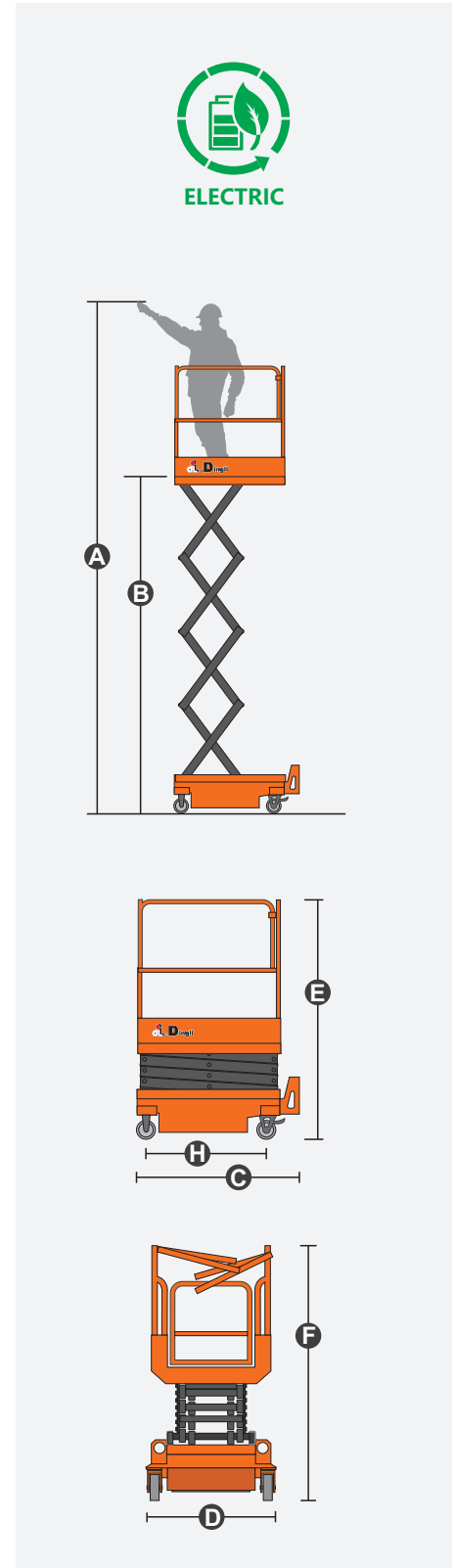
SPECIFICATIONS

Size	Metric	British
Max. Working Height A	5.90m	19ft 4in
Max. Platform Height B	3.90m	12ft 10in
Overall Length C	1.44m	4ft 9in
Overall Width D	0.76m	2ft 6in
Overall Height(Rails Up) E	1.92m	6ft 4in
Overall Height(Rails Down) F	1.52m	5ft
Platform Size(Length×Width)	1.29m×0.70m	4ft 3in×2ft 4in
Ground Clearance	0.06m	2in
Wheelbase H	1.14m	3ft 9in
Tyres	φ150×50mm	φ150×50mm

Performance		
S.W.L	240kg	529lb
Max. Occupants (Indoor/Outdoor)	1/0	1/0
Max. Working Slope	X-1°/Y-1°	X-1°/Y-1°
Up/Down Speed	38/25sec	38/25sec

Weight		
Overall Weight	530kg	1168lb

Power		
Hydraulic Tank	3L	0.8gal
Battery	12V/85Ah	12V/85Ah
Charger	12V/15A	12V/15A
Lifting Motor	12VDC/0.8kW	12VDC/0.8kW



FEATURES

Standard Items

- Self-Locking Gates
- Automatic Braking System
- Emergency Descent System
- Tubing Explosion-Proof System
- Onboard Fault Diagnostic System
- Tilt Alarm
- Motion Alarm
- Horn
- Hour Meter
- Safety Arm For Troubleshooting
- Standard Transport Forklift Holes
- Charging Protection System
- Flashing LED Beacon
- Charging Indicator
- Lanyard Attachment Point
- Tie-Down And Lifting Points
- Platform Load Sense System
- Emergency Stop Button

