

Specifications

Models Z-33/18

Measurements	Metric	US
Working height maximum*	12 m	39 ft 4 in
Platform height maximum	10 m	32 ft 10 in
Horizontal reach maximum	5.57 m	18 ft 3 in
Up and over clearance maximum	4.28 m	14 ft 1 in
A Platform length	0.76 m	2 ft 6 in
B Platform width	1.17 m	3 ft 10 in
C Height - stowed	1.98 m	6 ft 6 in
D Length - stowed	4.17 m	13 ft 8 in
E Width	1.50 m	4 ft 11 in
F Wheelbase	1.90 m	6 ft 3 in
G Ground clearance - center	15.2 cm	6.0 in

Productivity

Lift capacity	200 kg	440 lbs
Turntable rotation	400° non-continuous	
Turntable tailswing at counterweight	zero	zero
Turntable tailswing - riser up	0.15 m	5.2 in
Turntable tailswing - riser down	1.16 m	3 ft 10 in
Drive speed - stowed	6 km/h	3.7 mph
Drive speed - raised retracted**	0.75 km/h	0.47 mph
Drive speed - raised extended**	0.23 km/h	0.14 mph
Gradeability - stowed***	30%	30%
Turning radius - inside	1.9 m	6 ft 3 in
Controls	24 V DC proportional	
Tyres	56x23x44 cm	22x9x17 in

Power

Power source	48 V DC (eight 6 V X 8 batteries 315 Ah capacity)	
Drive system	48 V 3 phase AC	
Auxiliary power unit	24 V DC	24 V DC
Hydraulic tank capacity	20.8 L	6 gal

Sound & Vibration Levels

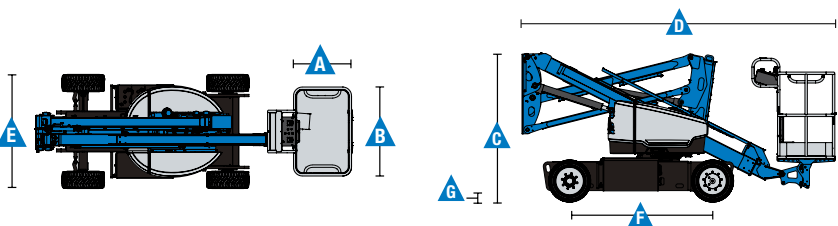
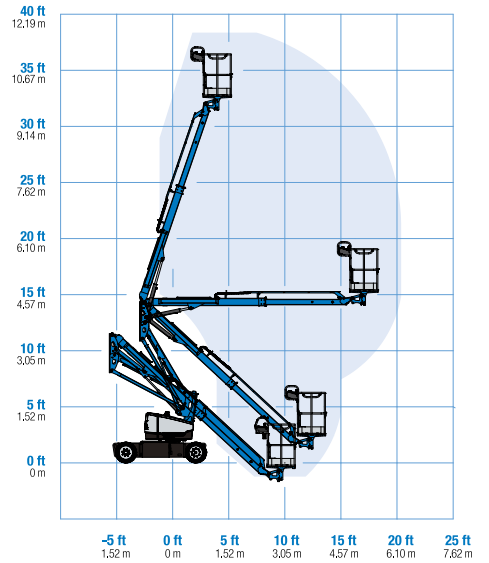
Sound pressure level (ground)	<70 dBA	<70 dBA
Sound pressure level (platform)	<70 dBA	<70 dBA
Vibration	<2.5 m/s ²	<8 ft 2 in/s ²

Weight****

	3,665 kg	8,080 lbs
--	----------	-----------

Standards Compliance	EU Directives: 2006/42/EC - Machinery (harmonized standard EN280); 2004/108/EC (EMC); 2006/95/EC (LVD)
----------------------	--

Range Of Motion Z-33/18



* The metric equivalent of working height adds 2 m to platform height. U.S. adds 6 ft to platform height.
 ** In lift mode *(platform raised), the machine is designed to operated on firm, level surfaces only.
 *** Gradeability applies to driving on slopes. See operator's manual for details regarding slope ratings.
 **** Weight will vary depending on options and/or country standards.



Features

Standard Features	Easily Configured To Meet Your Needs	Options & Accessories
-------------------	--------------------------------------	-----------------------

Measurements

Z-33/18

- 12 m (39 ft 4 in) working height
- 5.57 m (18 ft 3 in) horizontal reach
- 4.28 m (14 ft 1 in) up and over clearance
- Up to 200 kg (440 lbs) lift capacity

Productivity

- 1.50 m (4 ft 11 in) width
- 1.9 m (6 ft 3 in) inside turning radius
- Self-leveling platform
- Fast Mast™ System
- Proportional joystick controls
- Telematics-Ready Connector
- Thumb rocker steer
- Drive enable
- Chassis tilt drive function cut-out
- AC power cord to platform
- Horn
- Hour meter
- Tilt alarm
- Descent & travel alarms
- Flashing beacon
- 400° non-continuous turntable rotation
- Variable speed high efficiency hydraulic power unit
- AC electric drive system
- Traction control
- On board easy to understand diagnostics
- Electric brake release
- Drive at full height
- Entry Toe Boards and step
- Lift Guard™ Contact Alarm

Power

- 48 V DC deep cycle battery pack
- 24 V DC auxiliary power
- Universal 30A battery smart charger
- Battery charge indicator
- Low battery voltage interrupt
- 48 V solid state battery charger

Platform

- Steel 1.17 m (3 ft 10 in)

Power

- 48 V DC (eight 6 V 350 Ah batteries)

Drive

- 2 x 4 Electric AC

Tyres

- Solid rubber non-marking
- Multi-purpose tyres ⁽¹⁾ (not interchangeable with standard tyres)

Productivity

- Air line to platform⁽¹⁾
- Power to platform: plug, socket, with optional Residual-current Circuit Breaker with Overcurrent protection
- Work lights package (2 on chassis, 2 on platform)⁽²⁾
- Track & Trace⁽²⁾ (GPS unit providing machine location & operating information)
- Lockable platform control box cover
- Chassis tilt lift function cut-out (software setting)



⁽¹⁾ Factory-fit option only
⁽²⁾ Includes a first 2 years subscription

