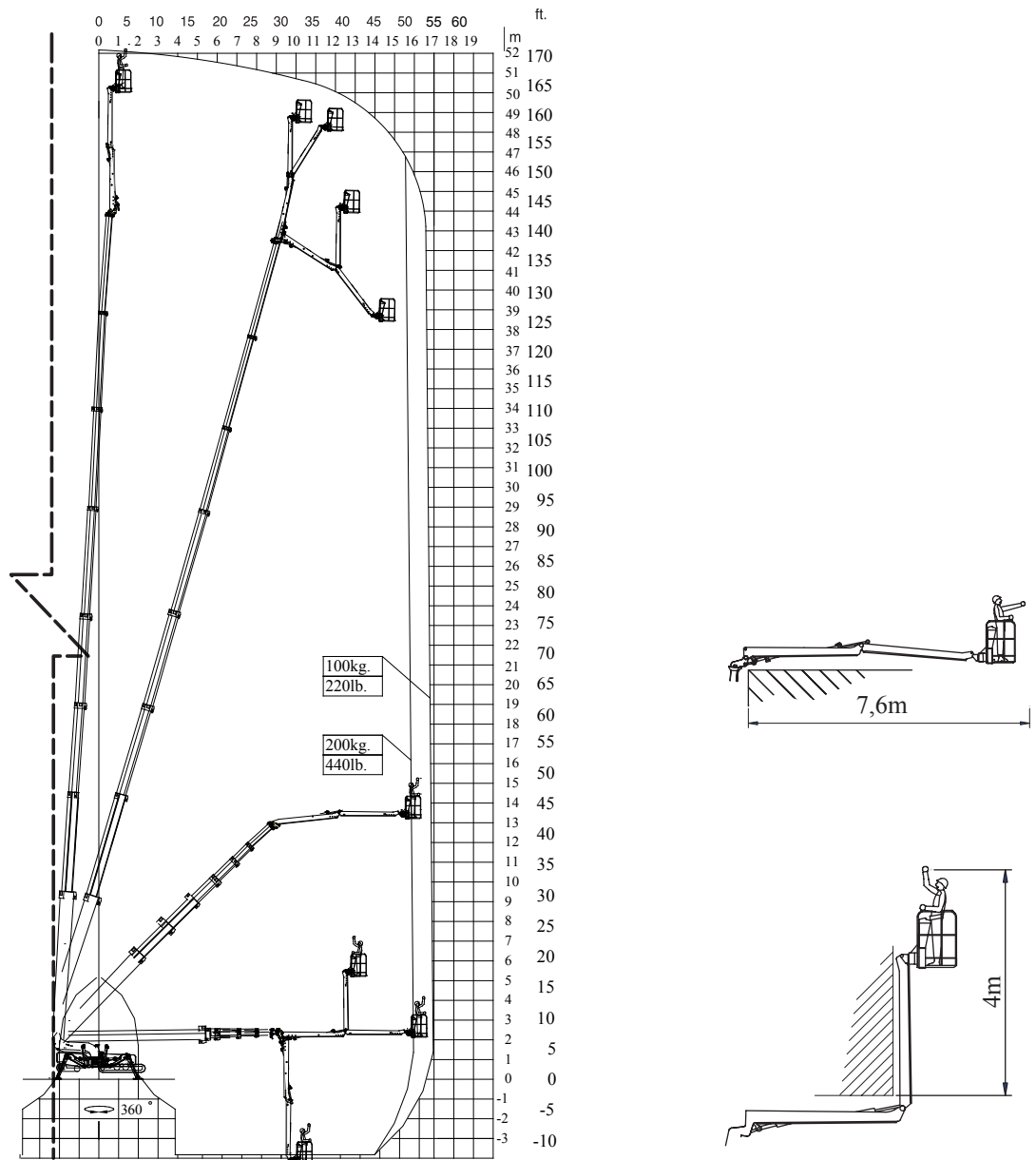


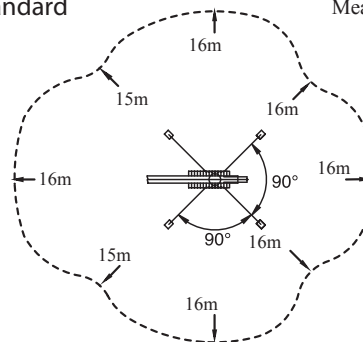
FALCON FS520C

Reach diagram — Optimised position



Reach with outriggers in different positions

Standard Measurements in meters



Basket load = 200kg

All measurements are intended as guide. Choice of equipment may change the mentioned measurements

TCA LIFT A/S

Tolderlundsvej 106
DK • 5000 Odense C
Tel.: +45 66 13 11 00

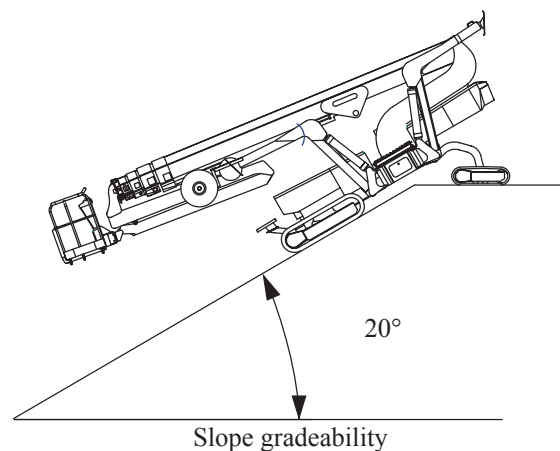
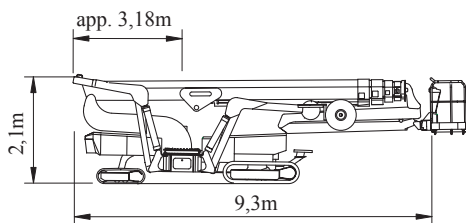
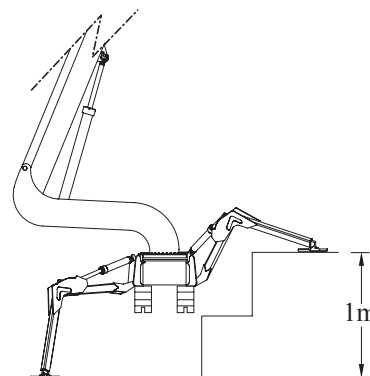
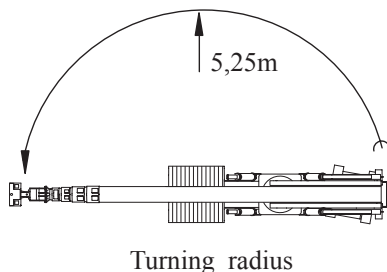
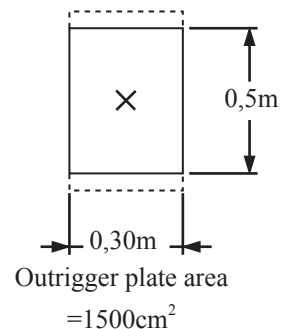
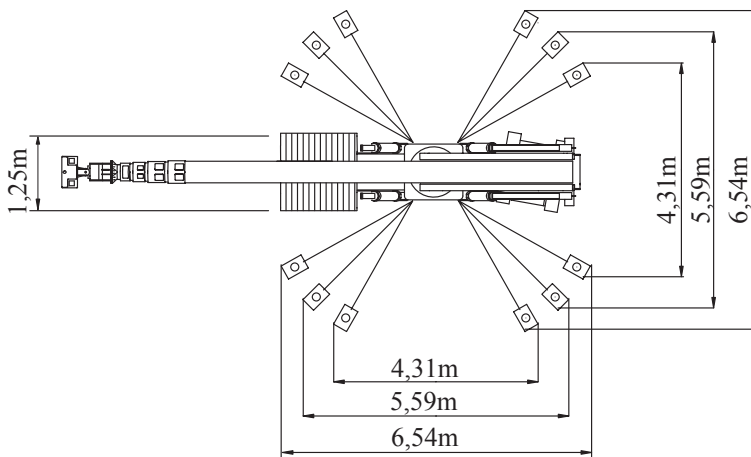
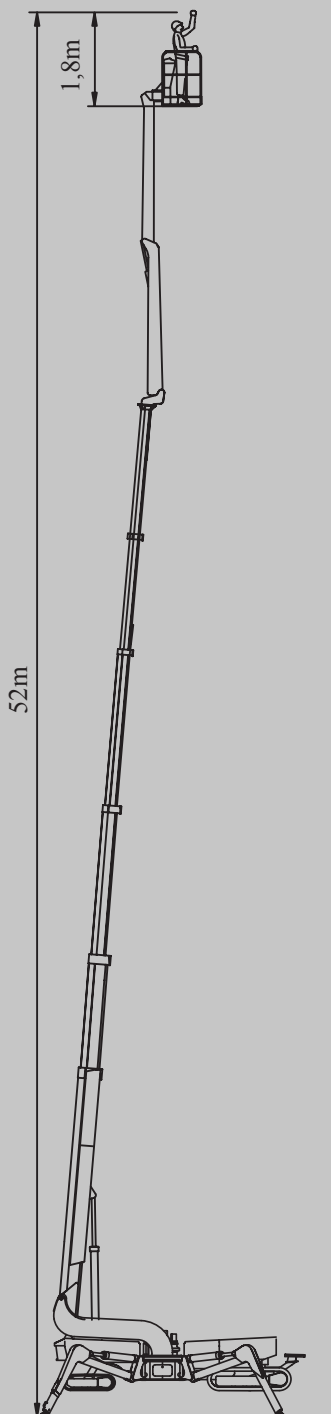
www.tcalift.com

HONEST, RELIABLE & REACTIVE
SOLUTIONS FOR WORKING AT HEIGHT

CONTACT US

☎ 0800 865 4455
✉ info@hiresafesolutions.com
🌐 www.hiresafesolutions.com





Additional info:

Weight and ground pressure:

Weight with standard equipment	13500 kg
Surface pressure under crawlers (soft surface)	0,85 kg/cm ²
Surface pressure under crawlers (hard surface)	1,20 kg/cm ²
Max. ground pressure under 1 outrigger plate	3,60 kg/cm ²

As all our products are in a constant process of development we reserve the right to alterations

